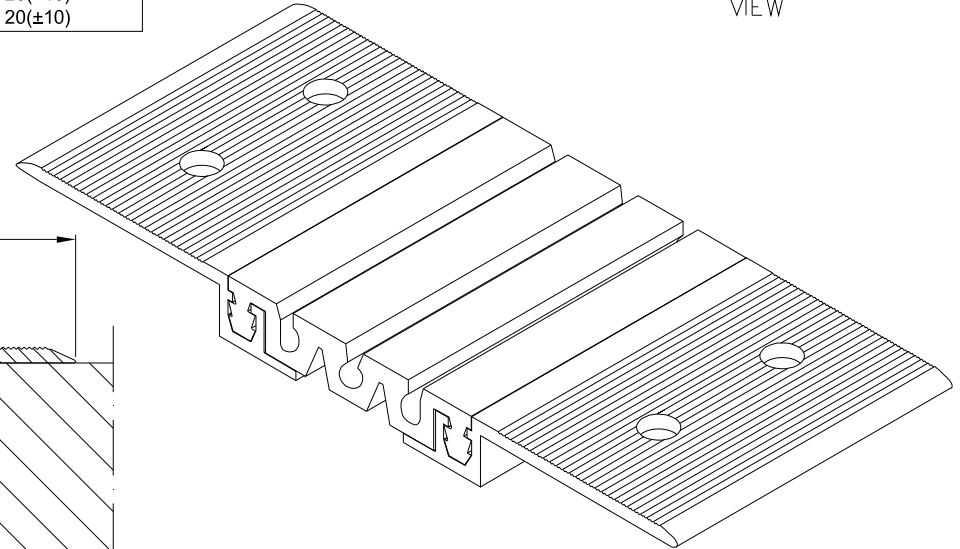


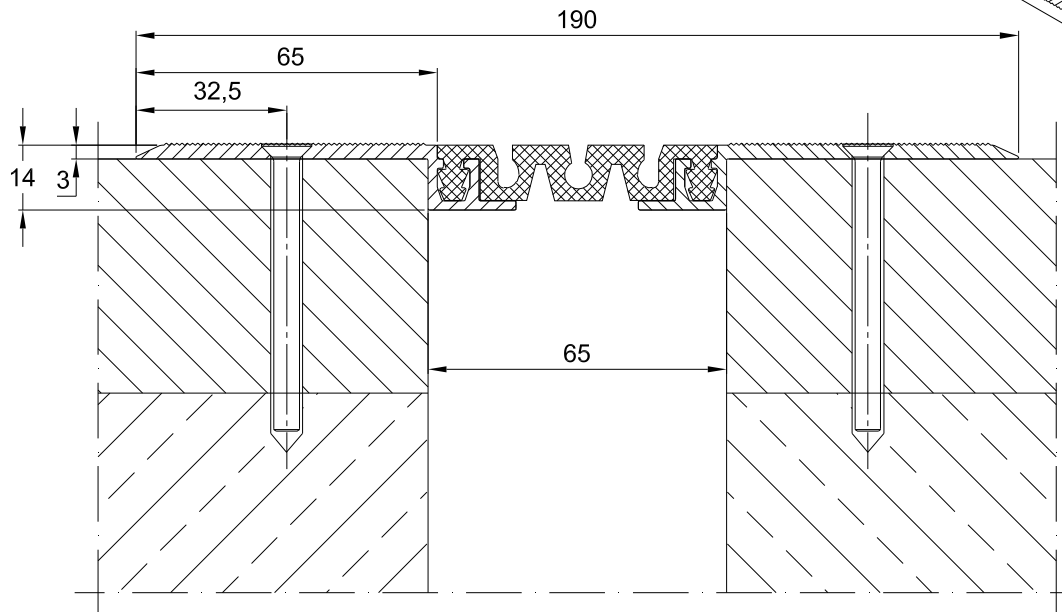
INFORMATION TABLE

| Profile type | Visible element [mm] | Joint width [mm] | Base width [mm] | Installation height [mm] | Material type          | Maximum load [kN] | Horizontal/Vertical compensation [mm] |
|--------------|----------------------|------------------|-----------------|--------------------------|------------------------|-------------------|---------------------------------------|
| EL 65.10.N   | 65                   | 65               | 190             | overlapping version      | Aluminum, modified PVC | 30                | 20(±10)<br>20(±10)                    |

CONECTO EL 65.10.N  
VIEW



CONECTO EL 65.10.N  
SECTION



|  |                       |              |                     |                  |
|--|-----------------------|--------------|---------------------|------------------|
| KONTAKT W REGIONIE<br>CONTACT IN REGION  | Radostaw Ole          |              |                     | 608 696 024      |
| ZATWIERDZIE<br>APPROVED  |                       |              |                     |                  |
| SPRACOWUJE<br>DRAFTER  |                       |              |                     |                  |
| RYSYNIK<br>DRAWER  | Aleksandra Radziemska |              |                     |                  |
| PROJEKTOWAL<br>DESIGNER  |                       |              |                     |                  |
|  | NAZWIŚCIE<br>NAME     | DATA<br>DATE | PODPIS<br>SIGNATURE | TELEFON<br>PHONE |
| <small>Rysunek i wszystkie informacje, które zawiera są własnością firmy Conecto Sp. z o.o.<br/>                 Powielanie w jakikolwiek postaci całości, bądź części rysunku wymaga pisemnej zgody właściciela.<br/>                 This drawing and all information contained here in, is the property of Conecto Sp. z o.o.<br/>                 Reproduction of this drawing in whole or part or disclosure to a third party is not permitted without written authorization from the proprietor.<br/>                 Conecto Sp. z o.o. tel. +48 62 76 329 46 email: dziatechniczny@profledyjotacjje.com.pl www.profledyjotacjje.com.pl</small> |                       |              |                     |                  |

Expansion joint Conecto Elasto 65.10.N

Conecto sp. z o.o.  
 Florentyna 25  
 62-817 Żelazków  
 www.conecto-profiles.com



|                      |                      |   |
|----------------------|----------------------|---|
| ROZMIAR / SIZE<br>A3 | SKALA / SCALE<br>1:1 | Wszystkie wymiary podano w [ mm ]<br>All dimensions in [ mm ] |
|----------------------|----------------------|---|

|                    |                          |                    |                 |           |
|--------------------|--------------------------|--------------------|-----------------|-----------|
| PROJEKT<br>PROJECT | ZŁOŻENIE<br>SUB ASSEMBLY | RYSUNEK<br>DRAWING | ARKUSZ<br>SHEET | NR<br>REV |
| --                 | --                       | 01                 | 1 Z<br>OF 1     |           |